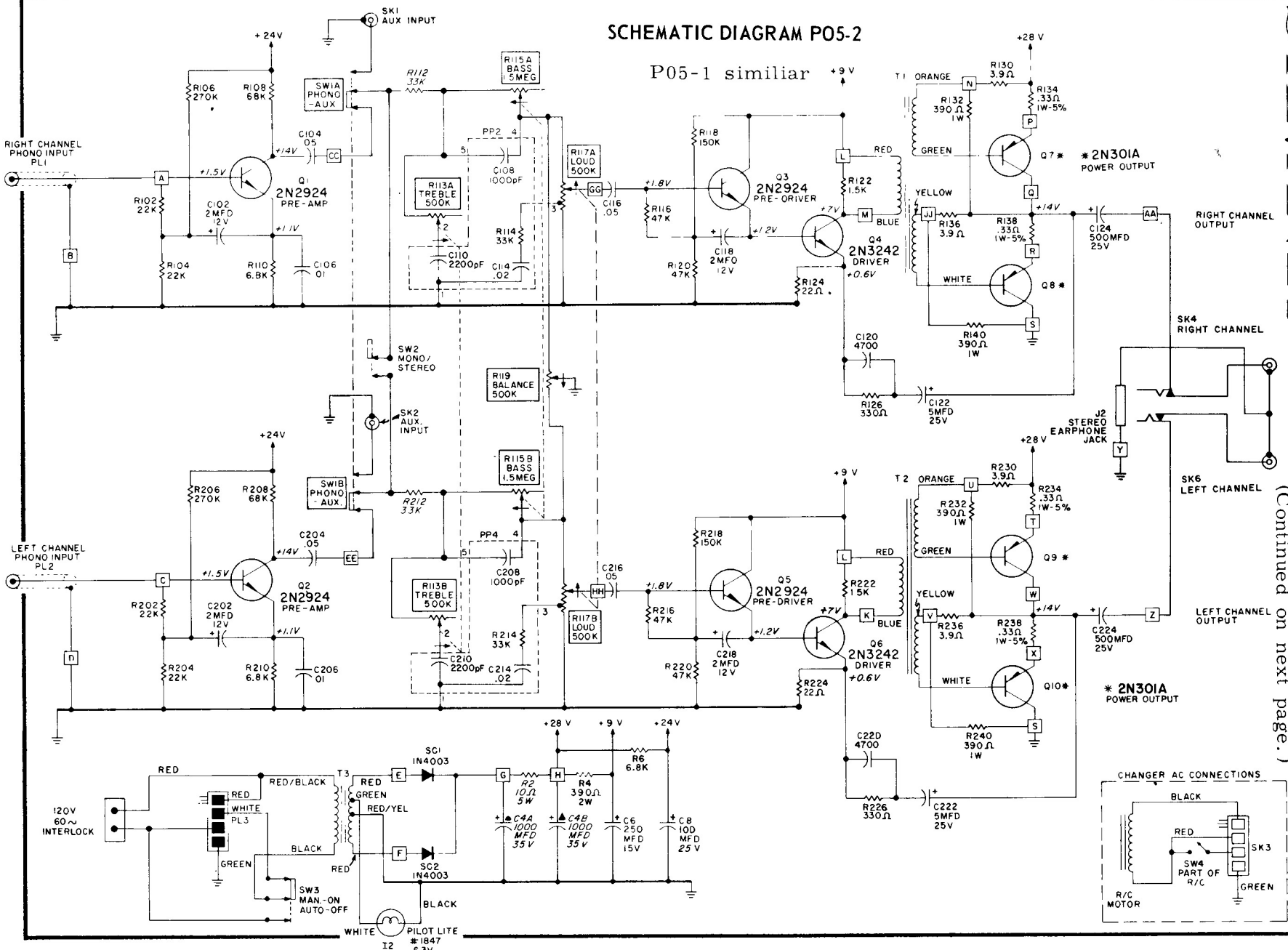


SCHMATIC DIAGRAM P05-2

P05-1 similar

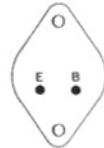


(Continued from preceding page.)

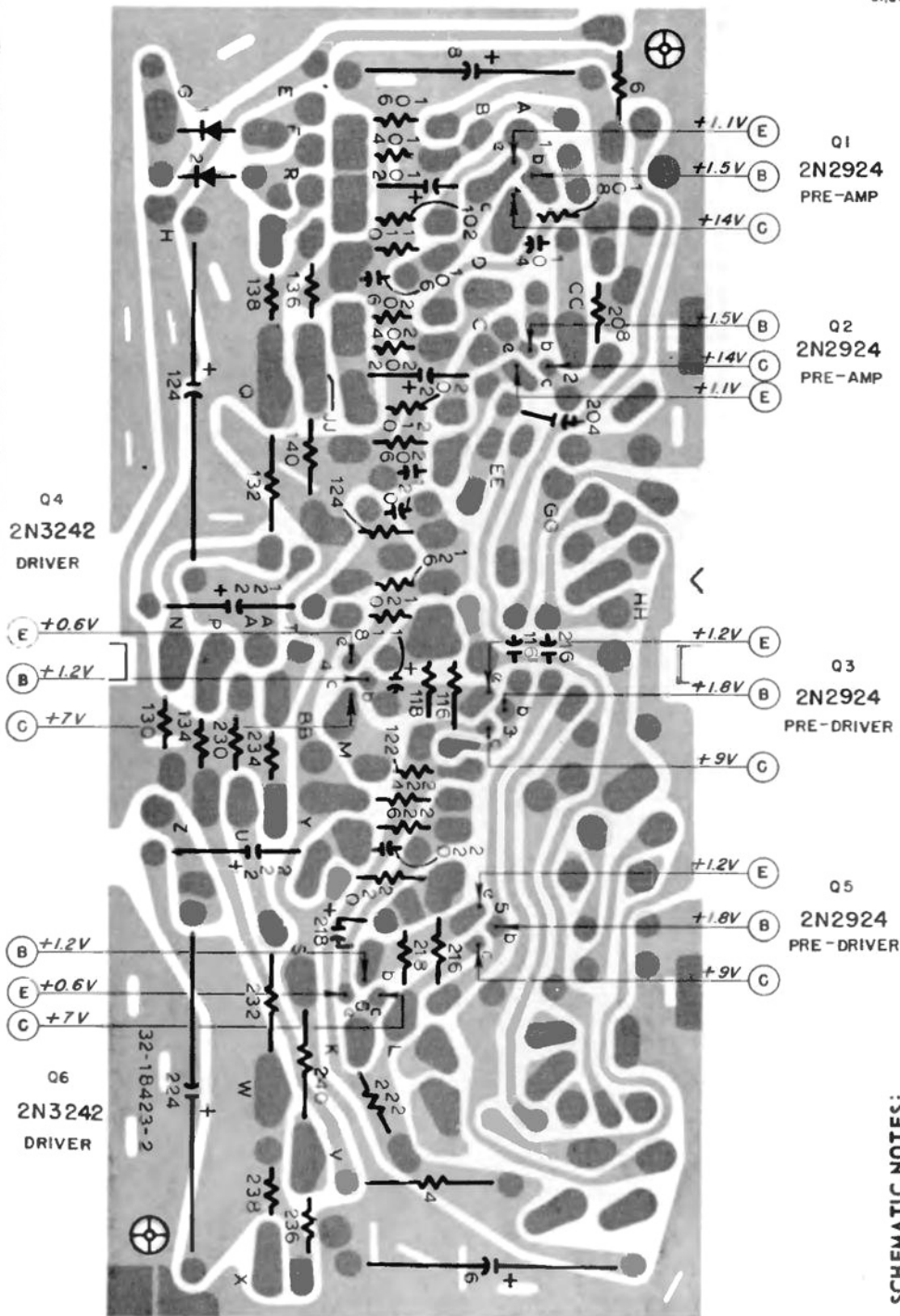
NOTE:

1. Voltage measurements are average readings measured to chassis ground with no signal input. Variations may be noted due to normal production tolerances.
2. See schematic diagram on page 5 for voltage readings on power output transistors (Q7, Q8, Q9, Q10).

BOTTOM VIEW OF TRANSISTORS



PRINTED BOARD PARTS LAYOUT



5. All resistors are 1/2W, 10% unless otherwise specified.
6. Designates chassis ground.
7. Indicates color dot on speakers for correct phasing.
8. **[R115]**, **[R117]** are dual ganged controls.
9. * Indicates replace in matched pairs.
10. Arrows on controls indicates clockwise rotation.

SCHEMATIC NOTES :

1. Voltage measurements are average reading measured to chassis with no signal input. Variations may be noted due to normal production tolerances.
2. AC power source 120 volt, 60 cycle.
3. Capacitance in MFD unless otherwise specified.
4. Resistors and capacitors not on printed circuit board are shown in italics.